

# Placing an Apron Sink

---

Reference Number: **KB-00890**

Last Modified: **July 21, 2021**

---

The information in this article applies to:



## QUESTION




How do I place an apron sink into a cabinet?

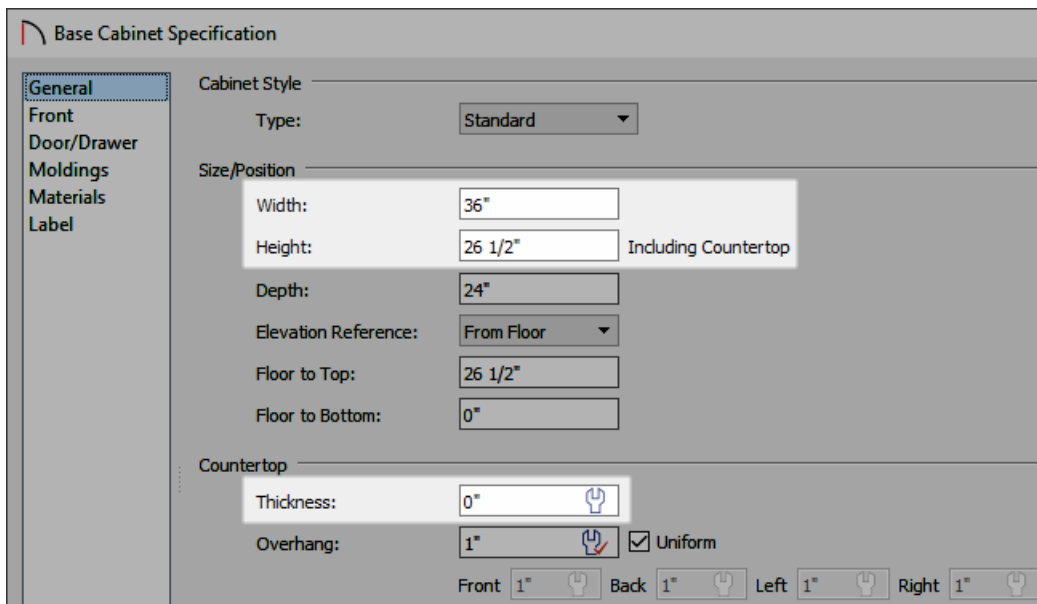


## ANSWER

Unlike sinks that just drop into an existing cabinet, an apron sink must be placed separately. An apron sink, which has a finished front surface, can be placed on top of a base cabinet against a wall, or in an island, by following the steps below.

To create a cabinet with an apron sink

1. Open the plan you would like to create an apron sink in, select **Build> Cabinet> Base Cabinet**  from the menu, and click once in your plan to create a base cabinet.
2. Using the **Select Objects**  tool, click on the base cabinet to select it, then click the **Open Object**  edit button to open the **Base Cabinet Specification** dialog.
3. On the **GENERAL** panel:



The screenshot shows the 'Base Cabinet Specification' dialog box with the 'General' panel selected. The 'Cabinet Style' section has 'Type' set to 'Standard'. The 'Size/Position' section includes: 'Width' (36"), 'Height' (26 1/2" Including Countertop), 'Depth' (24"), 'Elevation Reference' (From Floor), 'Floor to Top' (26 1/2"), and 'Floor to Bottom' (0"). The 'Countertop' section includes: 'Thickness' (0") and 'Overhang' (1" Uniform). At the bottom, there are four '1"' overhang settings for 'Front', 'Back', 'Left', and 'Right', each with a hand icon for adjustment.

- Set the cabinet's **Width** so the cabinet is large enough to contain a kitchen sink.

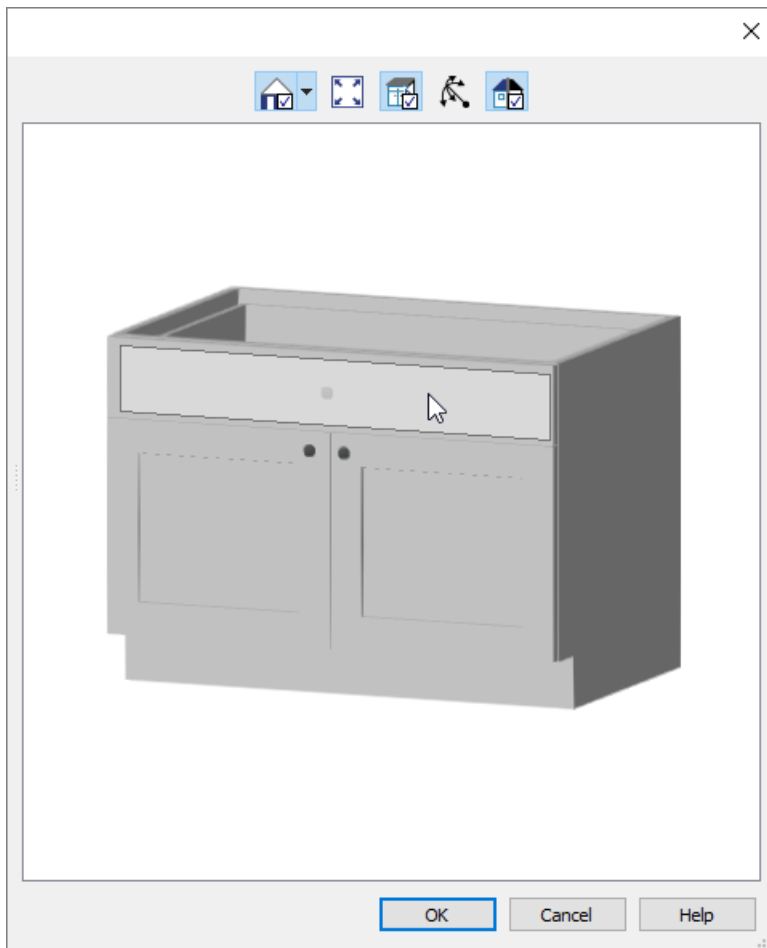
In this example we will use a 36" wide cabinet.

- Decrease the **Height** of the cabinet so that the sink can be placed on top of this cabinet, while the top of the sink will still line up with the cabinets on either side of it.

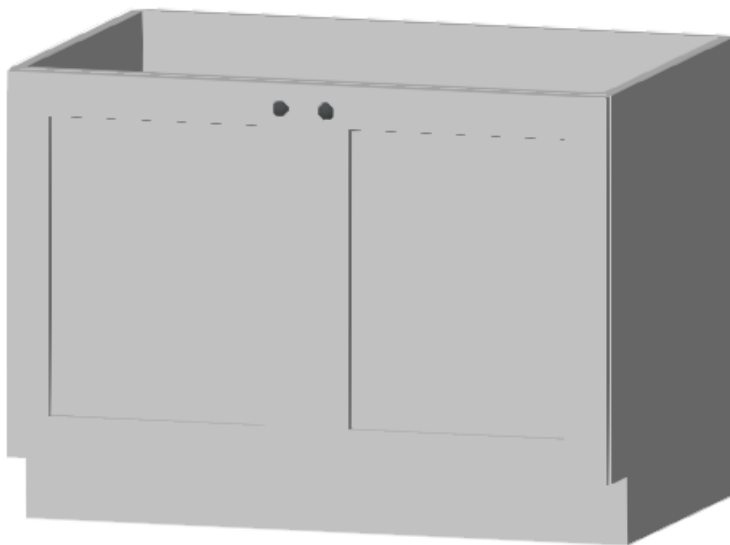
In this example, we chose a Height of 26 1/2".


- Change the **Countertop Thickness** to 0".

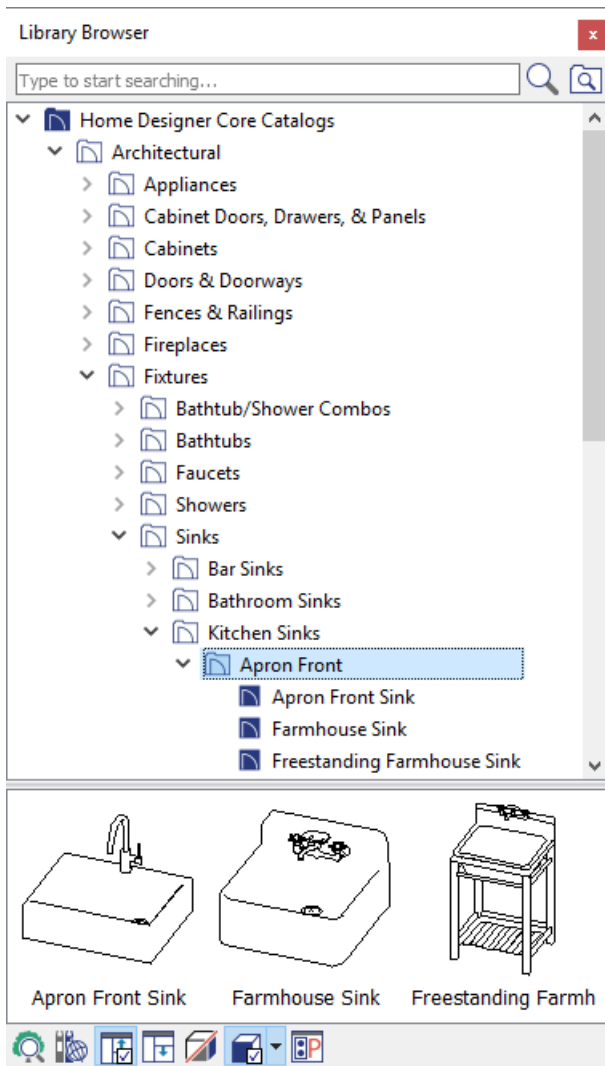
4. On the **FRONT** panel of the **Base Cabinet Specification** dialog, click on the drawer in the cabinet preview diagram on the right to select it:

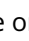

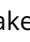


- Click the **Delete** button within the **Base Cabinet Specification** dialog to remove it, leaving only the double doors.



5. Click **OK** once you are done editing your cabinet to close out of the dialog.
6. Select **View > Library Browser**  from the menu to open the library if it's not already open, and browse to **Home Designer Core Catalogs > Architectural > Fixtures > Sinks > Kitchen Sinks > Apron Front**



7. Select an appropriate apron front sink fixture and click once on the base cabinet to place the sink on top of it.
  - If the sink is not placed correctly, use the **Select Objects**  tool to select the sink and use the **Move**  edit handle to move it into your desired location.
  - If you're having trouble selecting the sink, try pressing the **Tab** key on your keyboard after attempting the selection, as this will cycle between objects that are in the same area.
8. Adjust the width and height of the apron front sink to your preference and then take a **Camera**  view to see the results.



---

Related Articles

📌 [Selecting a Sink after it is Placed in a Cabinet \(/support/article/KB-00147/selecting-a-sink-after-it-is-placed-in-a-cabinet.html\)](/support/article/KB-00147/selecting-a-sink-after-it-is-placed-in-a-cabinet.html)